

Specifications:

Description:

Halius Moana LED linear profile Surface/Suspended with high quality led technology. It provides high lumen output, Eco friendly solution and they offer more in terms of color options, efficiency, Ease of installation and brightness. Excellent heat dissipation and great flexibility in mounting.

Construction:

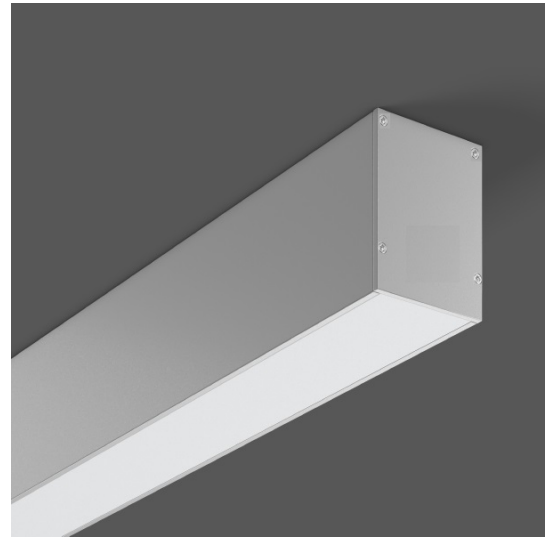
- Die cast Aluminum with Powder coat Finish.
- Opal PMMA Diffuser.
- Uniform light distribution.
- Energy Efficient.
- Elegant look.

Performance:

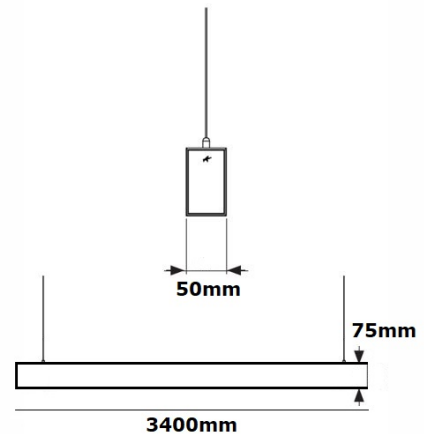
Input Power	110W
Voltage Input	AC220-240Vac
Freequency	50-60 Hz
Lumens/LPW	15400lm/140lm/W
CCT	4000K
CRI	80+
Klud	50000hrs
UGR	<19
Min. Start Temp Max. Operating Temp	-20° C to 40° C
Warranty	5yrs
Labels	CE, ROHS

HL-LTG-I-LP-MOAN-110W-4000K-120D-B-ND

Images:



Dimensions:



Catalog number:

Eg: HL-LTG-I-LP-MOAN-11W-4000K-120D-B-ND

HL-LTG-I-LP-MOAN-110W - xxxK - xxxD - x - xx

B-Black	CCT	Beam	Finish	ND-Non Dimming
W-White	3000K	120°	B	DI-Dimming
	4000K		W	
	5000K			

HL-LTG-I-LP-MOAN-140W-4000K-120D-B-ND

Electrical Data

Driver Inc.	Yes
Dimming/Dimming option	Yes/Preset Current options
Driver type	Constant Current
PF	>0.9
THD	≤ 15%

Mechanical Data

LengthxWidth	3400x50mm
Hanging Height	1500mm Std
Height	75mm
Material	Extrude Aluminum
Fixed/Adjustable	Fixed
Diffuser	Opal PMMA
Finish	White/Black

Optical Data

Chip	CREE
Beam Angle	120°
SDCM(Macadam step)	< 3
CRI	>80+
CCT	3000K/4000K/6000K
Life Span	50000Hrs
Luminaire Efficiency(lm/W)	140lm/W
Luminaire Lumen(lm)	15400lm

Thermal Data

Working Temperature	-20° C to 45° C
Storage Temperature	-20°C to 60°C

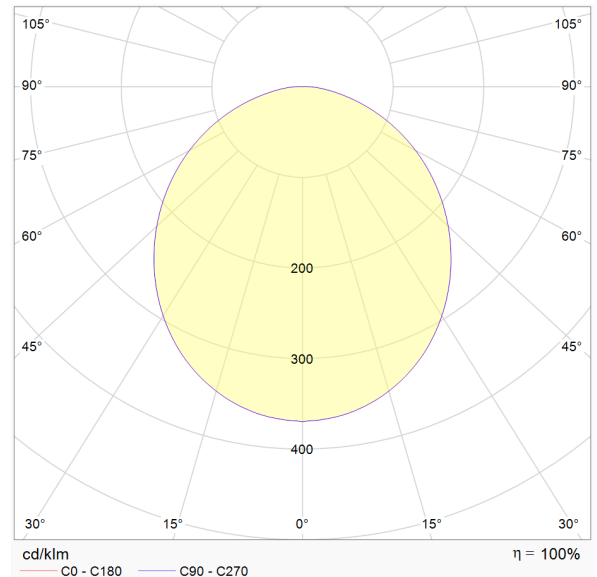
Safety Data

IP	IP20
Safety Class	Class II
CE	YES
ROHS	YES

Photometrics

HL-LTG-I-LP-MOAN-110W-4000K-120D-B-ND

LED Light Engine: 4000K, 80 CRI System Wattage: 110W Fixture Delivered Lumens: 15400lm Fixture Efficacy: 140lm/W



Cone Diagram

0.5	1.33	E(0°) E(C0)	53.1°	5989 650
1.0	2.66	E(0°) E(C0)	53.1°	1497 163
1.5	4.00	E(0°) E(C0)	53.1°	665 72
2.0	5.33	E(0°) E(C0)	53.1°	374 41
2.5	6.66	E(0°) E(C0)	53.1°	240 26
3.0	7.99	E(0°) E(C0)	53.1°	166 18
Distance [m]	Cone Diameter [m]			Illuminance [lx]

***Dimming capabilities will vary depending on the dimmer control, load, and circuit installation. *** Always refer to dimmer manufacturer instructions or a controls specialist for specific requirements.